

Applications

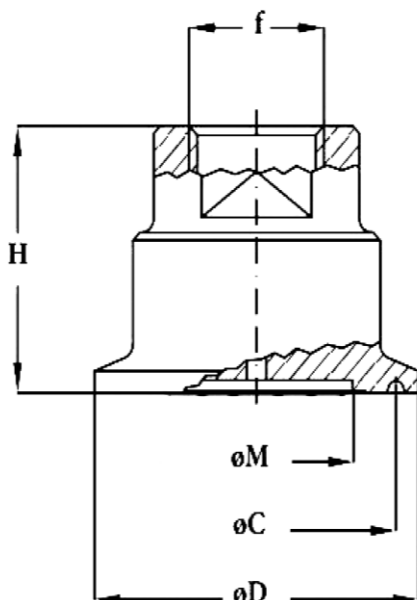
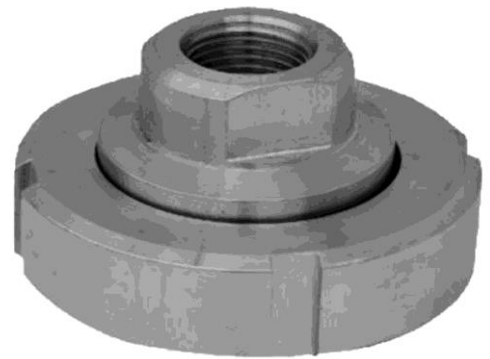
- Food and beverage production
- For dairies, dairy products
- Breweries
- Soft drink production
- Ultra-pure steam systems for SIP
- Vacuum pressure monitoring, e.g., vacuum conveyors, pump monitoring

Special features

- For cleaning easy to remove
- Quick cleaning of measuring point, without residue
- Suitable for cleaning out of place (COP)

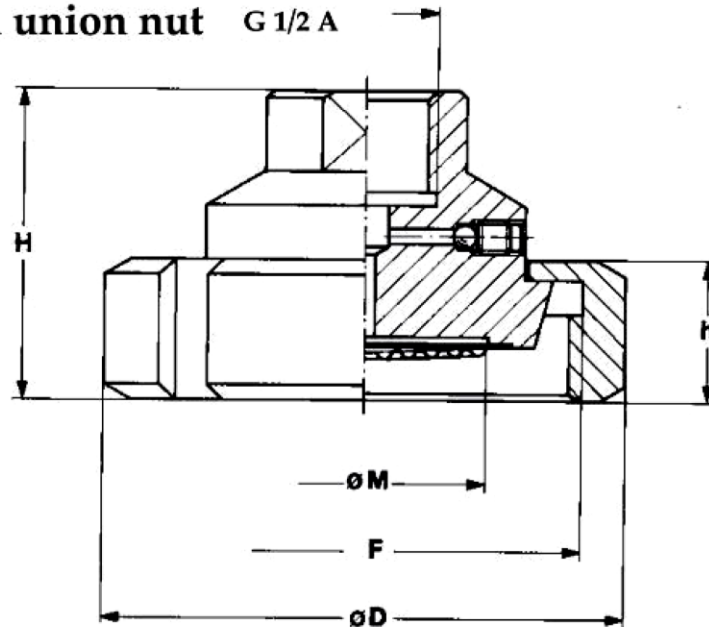
Standard version

- Working pressure: From 0...15 to 0...600 psi
(from 0...1 to 0...40bar)
- Process temperature: -20° C...+100° C
- Accuracy: 1.6% or 1.0% direct mounting.
- Instrument connection: AISI 316 st.st
- Diaphragm: AISI 316L st.st
- Filling liquid: silicone oil
- Union nut: AISI 304 st.st.



Tri-clamp	Code	C	H	D	M	f
1" 1/2	TC	1,71"	1,37"	1,98"	1,18"	G 1/4 A G 1/2 A
2"	TC	2,22"	1,37"	2,51"	1,57"	G 1/2 A

Female with union nut G 1/2 A



DIN 11851

DN	Code	H	h	D	M	F
40	DIN	1.81" (46)	0.82" (21)	3.07" (78)	1.57" (40)	Rd 65 x 1/6
50	DIN	1.85" (47)	0.86" (22)	3.62" (92)	1.96" (50)	Rd 78 x 1/6

SMS

DN	Code	H	h	D	M	F
1" 1/2	SMS	1.94"	0.98"	2.91"	1.18"	Rd 60 x 1/6
2"	SMS	1.98"	1.02"	3.30"	1.57"	Rd 70 x 1/6

RJT/APV

DN	Code	H	h	D	M	F
1" 1/2	RJT	1.94"	0.86"	Ex. 2.55"	1.18"	2" 5/16 x 8
2"	RJT	1.94"	0.86"	Ex. 3.11"	1.57"	2" 7/8 x 6

IDF/ISS

DN	Code	H	h	D	M	F
1" 1/2	IDF	2.14"	1.18"	2.51"	1.18"	2" 1/32 x 8
2"	IDF	2.14"	1.18"	3.03"	1.57"	2" 9/16 x 8

