

Applications

- Oil and Gas
- Petrochemical and Chemical Industry
- Power Industry
- Water Supply

Working Medium

- Gases

Connection to Piping

- Threaded Ends

Technical Description

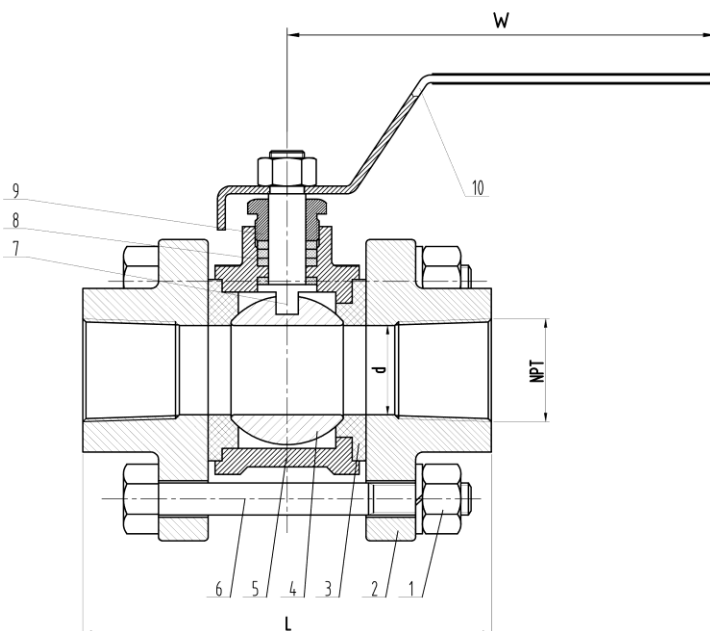
- Cast Body
- Individual parts of the body are connected by continuous bolts
- Soft-seated seat

Technical Requirement

- Basic Design : GB/T 2237
- The end is According to the ASME B16.11
- Face to Face : ASME B16.11
- Test standard : GB/T13927



PN16/25/40/64		
Shell test Pressure	Mpa	2.4/3.8/6.0/9.6
Seal test Pressure		1.76/2.75/4.4/7.04
Low pressure test		
working temperature	°C	0-80
Applicable medium	Water, Steam	



10	Handle	304
9	Gland	WCB/CF8
8	Packing	PTFE
7	Stem	2Cr13/304/316
6	Bolt	A193-B7/A193-B8M
5	Body	WCB/A105/CF8/CF8M
4	Ball	304/316
3	Seal ring	PTFE
2	Cover	WCB/A105/CF8/CF8M
1	Nut	A194-2H/A194-8
No.	Name	Material

Dimensions in mm

DN	Rc	d	L	H	W
10	3/8"	12	62	50	90
15	1/2"	15	68	55	100
20	3/4"	20	78	60	120
25	1"	25	86	70	140
32	1¼"	32	101	82	140
40	1½"	38	109	90	180
50	2"	50	130	105	200